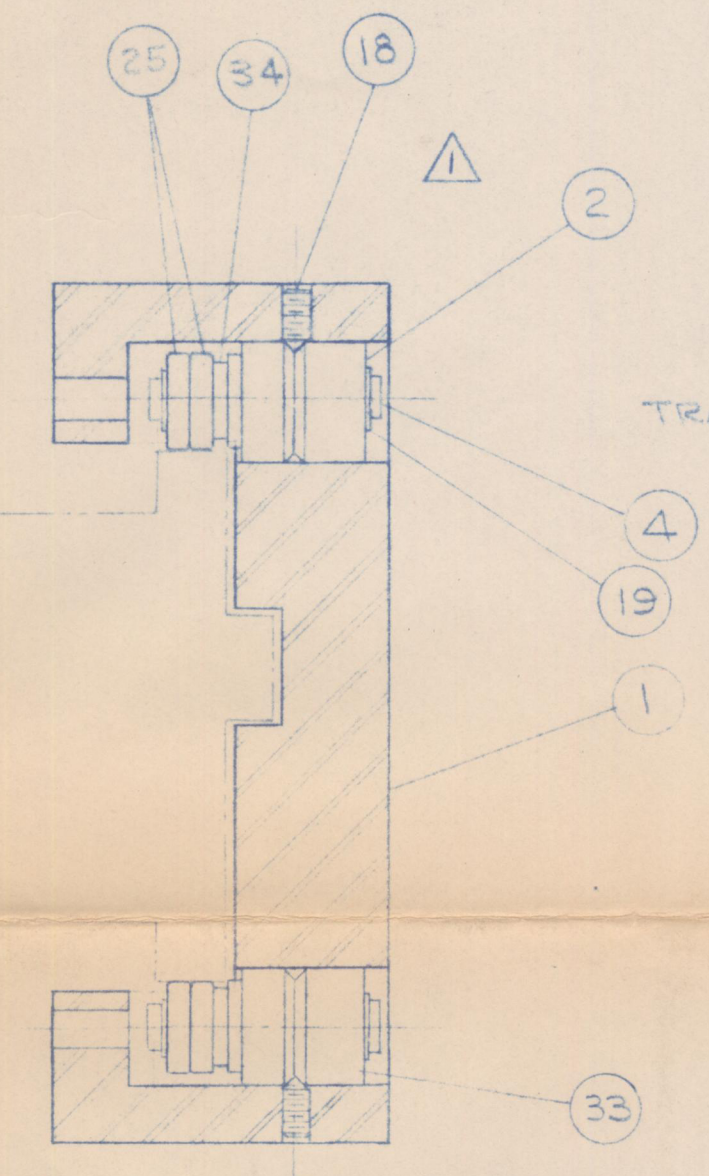
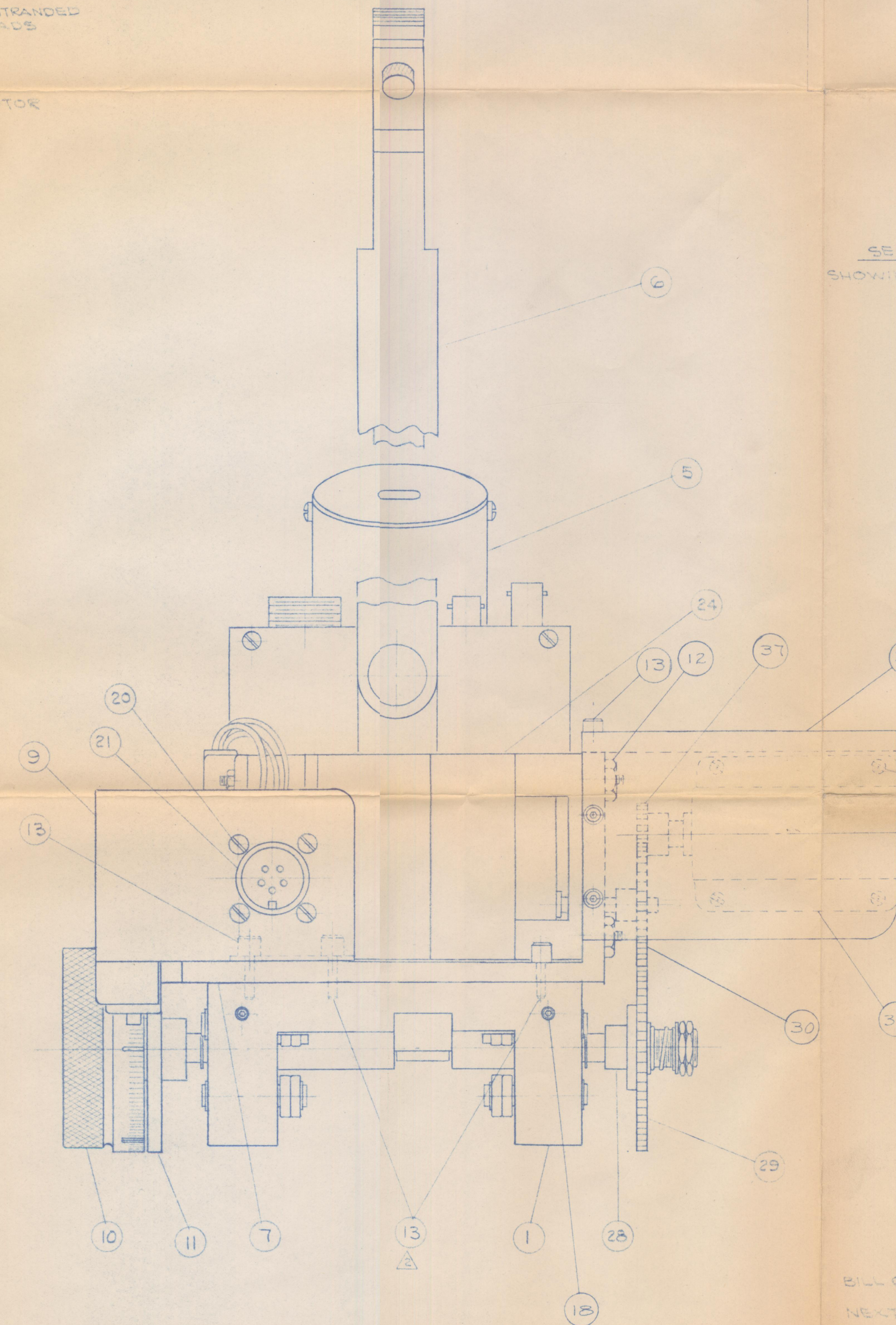
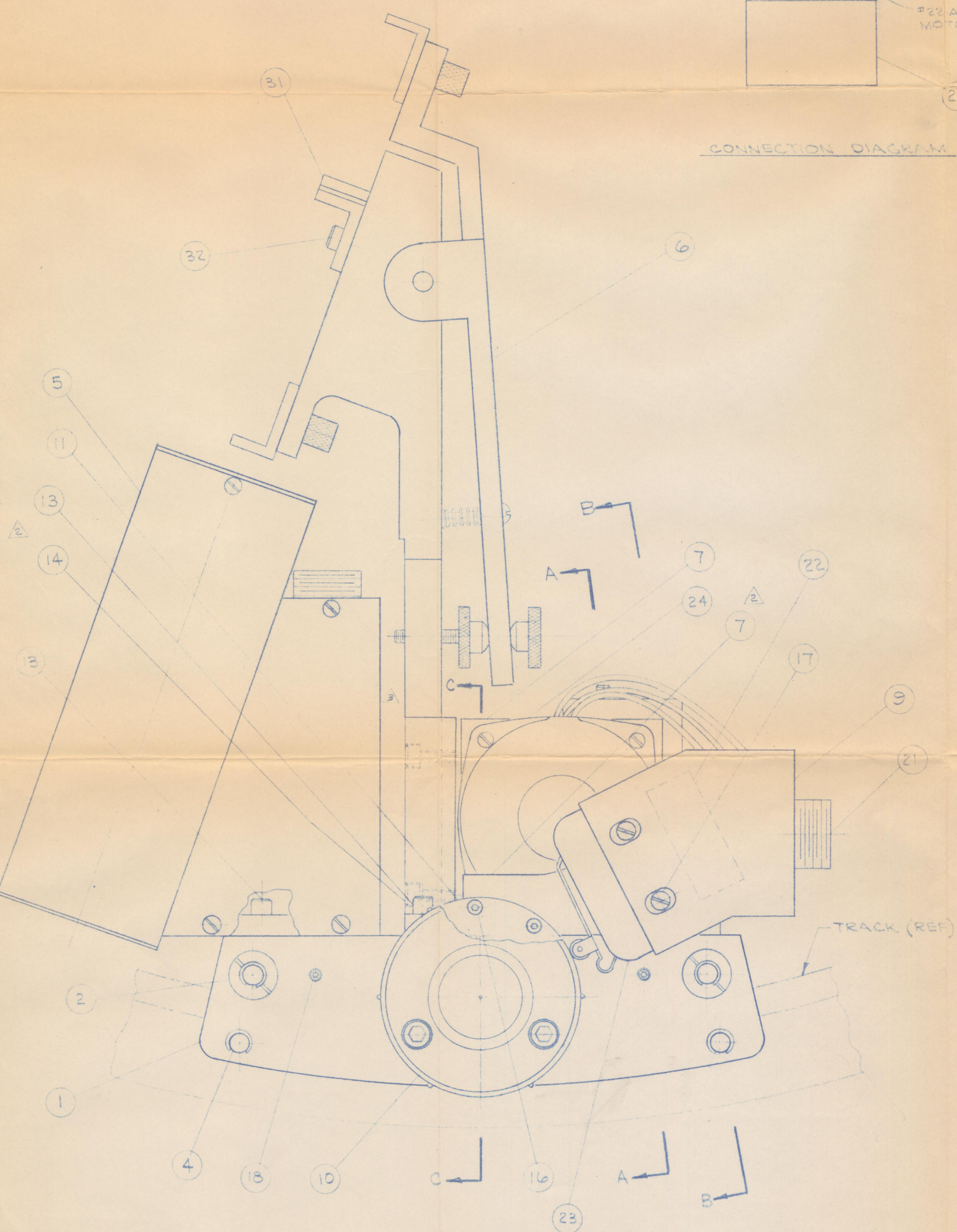
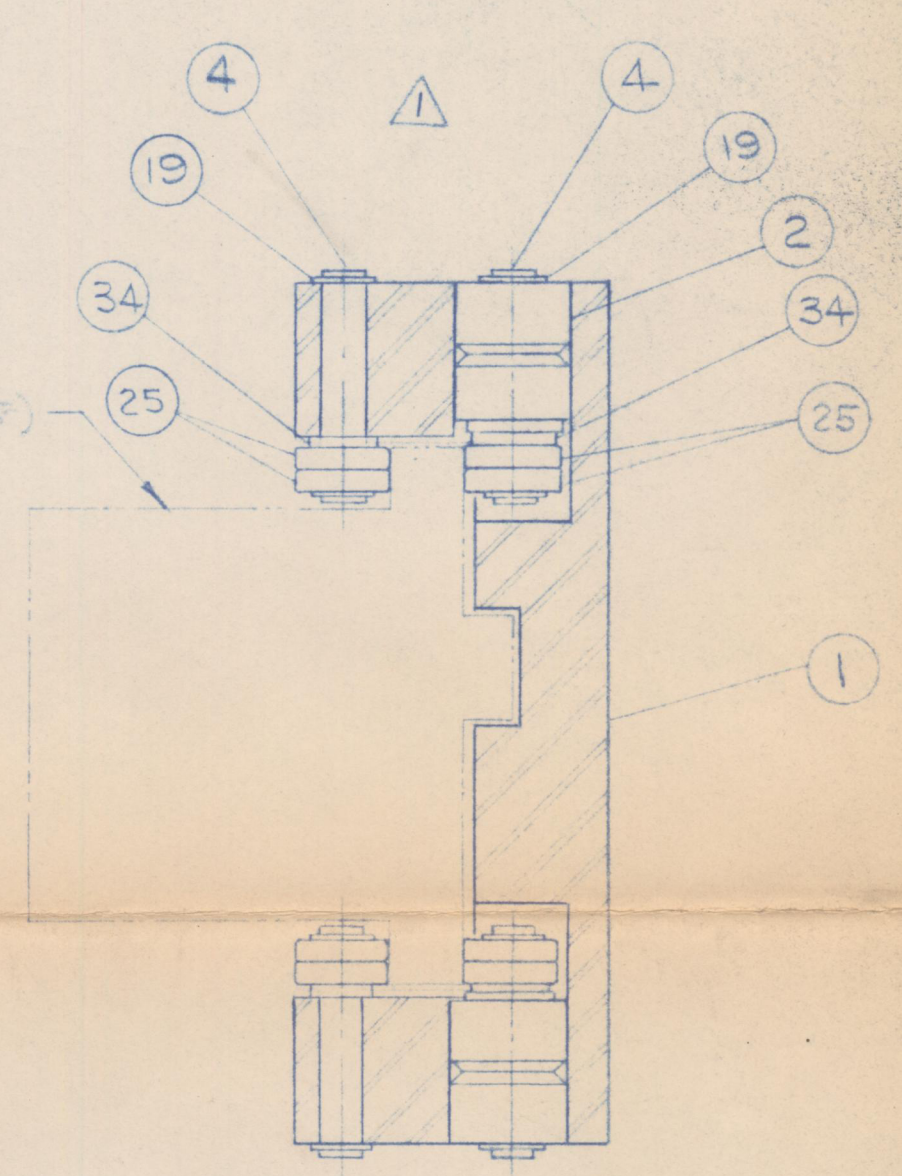


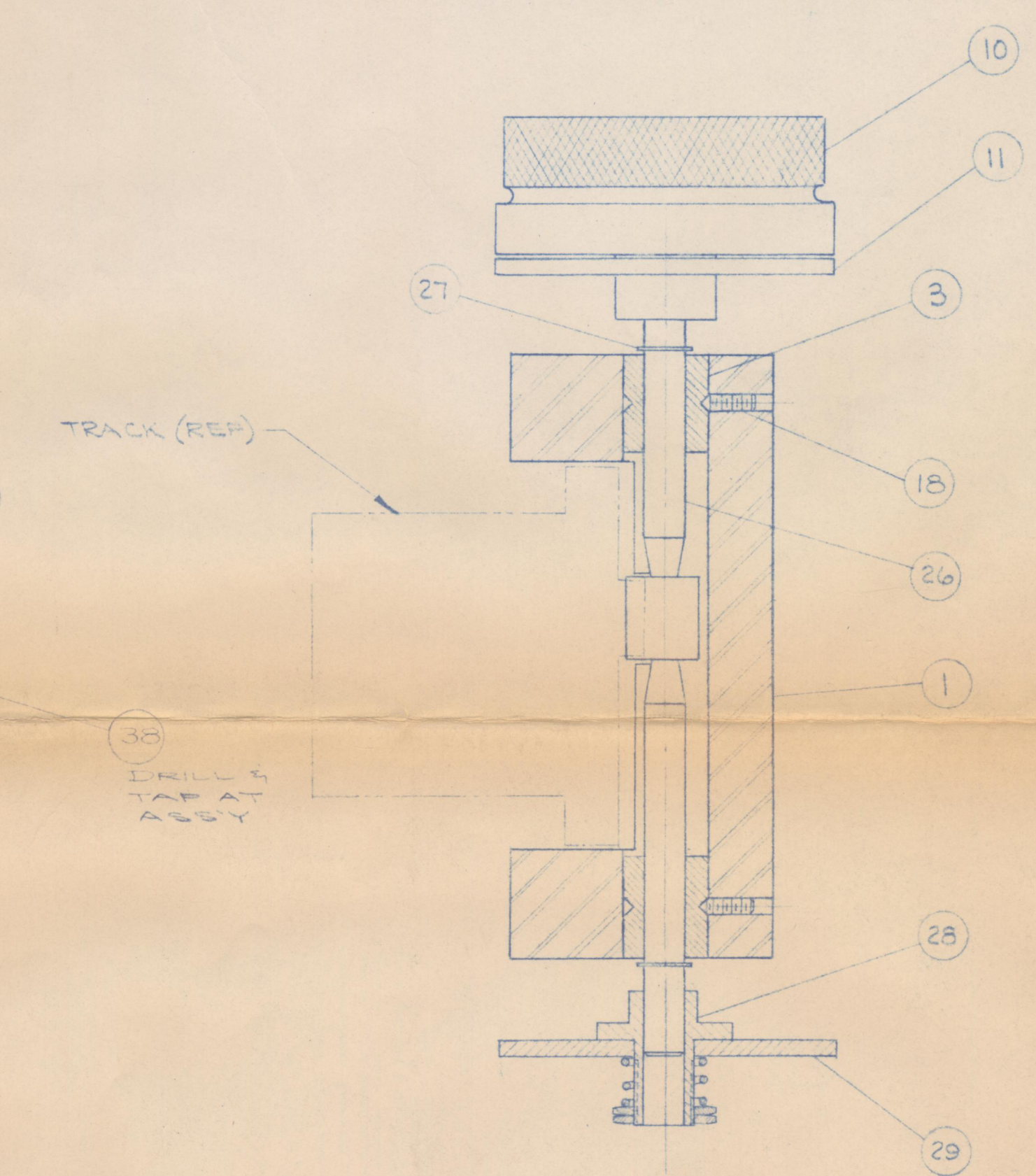
CONNECTION DIAGRAM



SECTION A-A  
SHOWING CARRIAGE ASSY ONLY



SECTION B-B  
SHOWING CARRIAGE ASSY ONLY



SECTION C-C  
SHOWING CARRIAGE ASSY ONLY

BILL OF MATERIAL B-1330  
NEXT ASSY D-320 & D-321



McCartney MFG. CO.  
BAXTER SPRINGS, KANSAS

CARRIAGE SCANNING  
EQUIPMENT ASSY

REV A	10-7-65 REVISED BEARING DETAILS REV. BY W.D.S. W.D.S. 57001	SCALE FULL	DATE T-23-62
REV B	12-2-62 REVISED SLIP HOLDER BY W.D.S.	DWG. LEED	
REV C	ADDED ITEM 18, 28, 36, 37, 38 3-D VIEW	PART NO.	APPROV. OK H.T.H. 9-18-62
		DWG. NO.	D-317